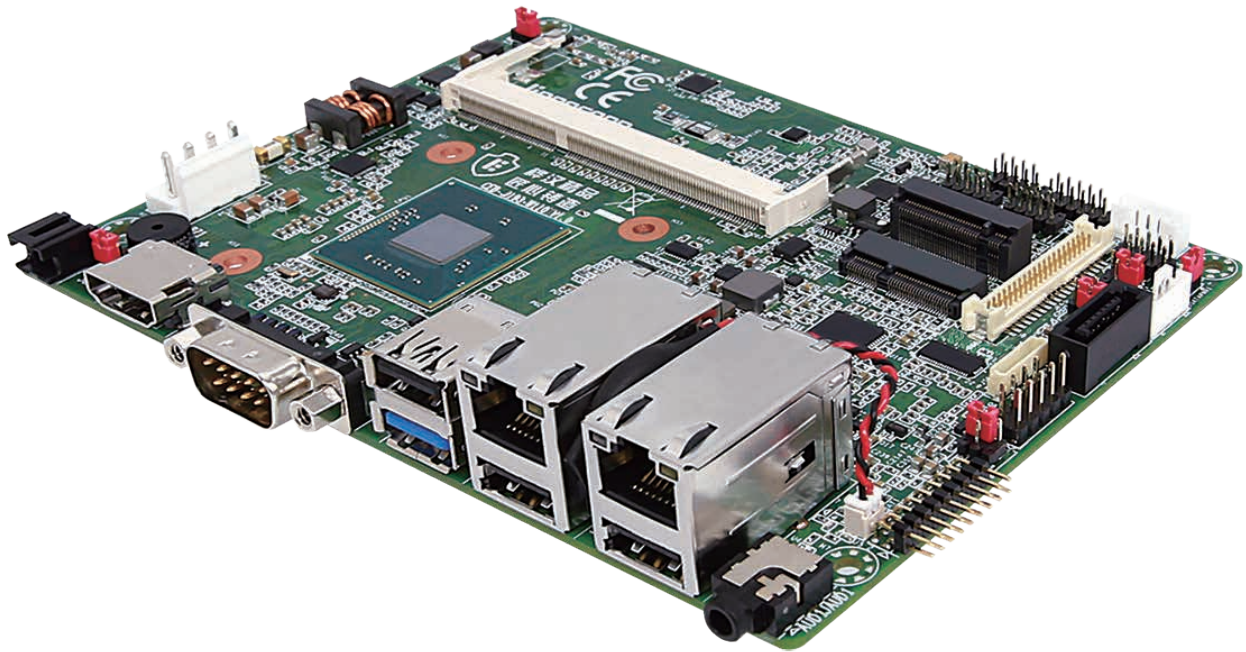


# eSBC

by Ennoconn

# 2000

Intel® Celeron® Processor J1900 (Bay Trail)  
3.5" Embedded Single Board Computer



- Quad Core Intel® Celeron® Processor J1900 (Bay Trail)
- Fanless, 0°C to 60°C Operating Temperature
- DDR3L 1333MHz memory, up to 8GB
- Dual Independent Display : HDMI, LVDS/eDP
- 6 USB, 6 COM
- SIM socket for WiFi/4G/3G/LTE/GPRS/UMTS
- 2 M.2 Socket : 1 M.2 Key B, 1 M.2 Key E
- 9V to 36V wide range DC power input
- Dual Intel® I211 GigE LAN

Factory Automation



Telemedicine



Vision Inspection



Self-Service



Vecow

# Specifications

## System

Processor	Quad Core Intel® Celeron® Processor J1900 (Bay Trail)
BIOS	AMI
SIO	NCT6126D
Memory	1 DDR3L 1333MHz SO-DIMM, up to 8GB
OS	Windows 10, Linux

## Graphics

Processor	Intel® HD Graphics for Intel Atom® Processor Z3700 Series
Interface	Dual independent display : - 1 HDMI : Up to 1920 x 1200 @60Hz - 1 LVDS/eDP : Up to 1920 x 1200/4096 x 2304 @60Hz

## Ethernet

LAN 1	Intel® I211AT GigE LAN
LAN 2	Intel® I211AT GigE LAN

## Audio

Audio Codec	Realtek ALC269, 2.1 Channel HD Audio
Audio Interface	1 Mic-in, 1 Line-out

## I/O Interface

Front I/O	- 1 HDMI Connector - 3 USB 2.0 Connector - 1 USB 3.0 Connector - 2 RJ45 Connector - 1 COM RS232/422/485 Connector - 1 Line-out Connector - 1 Mic-in Connector - 1 Remote Switch
Internal I/O	- 1 LVDS/eDP Connector - 2 USB 2.0 Connector - 1 GPIO Header - 4 COM RS-232 Connector - 1 COM RS232/422/485 Connector - 1 M.2 Key E Socket - 1 M.2 Key B Socket - 1 Mini PCIe Socket - 1 SIM Socket - 1 DDR3 SO-DIMM Socket - 1 SATA Power Connector - 1 Touch Pin Header

## Storage

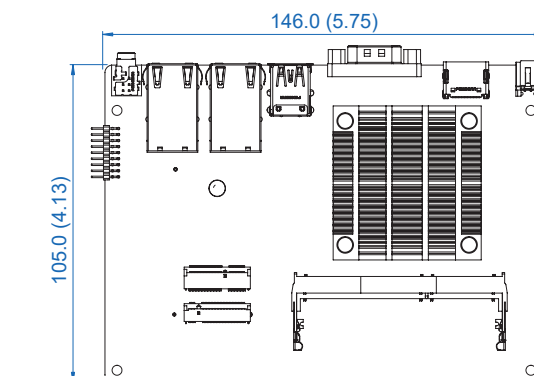
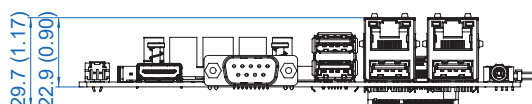
SATA	1 SATA II (3Gbps)
mSATA	1 SATA II (Mini PCIe Type, 3Gbps, SATA signal co-layout with M.2 Key B)
M.2	1 M.2 Key B Socket (2242, SATA signal co-layout with mSATA)

## Expansion

Mini PCIe	1 Mini PCIe for PCIe/USB/SIM/Optional mSATA
M.2	1 M.2 Key E Socket (2230)

## Dimensions & Drawing

Unit : mm (inch)



## Power

Power Input	9V to 36V DC-in
Power Interface	4-pin Header : V+, V+, GND, GND

## Others

HW Monitor	Monitoring temperature, voltages. Auto throttling control when CPU overheats.
------------	-------------------------------------------------------------------------------

## Mechanical

Dimensions	146.0mm x 105.0mm (5.75" x 4.13")
------------	-----------------------------------

## Environment

Operating Temp.	-0°C to 60°C (32°F to 147°F)
Storage Temp.	-40°C to 85°C (-40°F to 185°F)
Humidity	5% to 95% Humidity, non-condensing
Relative Humidity	95% @60°C
EMC	CE, FCC

## Packing List

eSBC-2000	x1
Driver/User Manual DVD	x1
Cable Kit	
- Power Cable	x1
- COM port Cable (2 ports)	x1
- COM port Cable	x1
- USB Cable (2 ports)	x1
- SATA Power Data Cable	x1

## Order Information

Model	GigE LAN	M.2	USB 3.0	USB 2.0	HDMI	COM	SATA II
eSBC-2000	2	2	1	5	1	6	1

## Optional Accessories

77-PESBC20-001	Heat Sink
61-1392910-39M	COM Port Cable (2 ports)
61-1390910-39M	COM Port Cable
61-19310U2-019	USB Cable (2 ports)
61-1300026-3CM	SATA Power Data Cable
61-1300031-31M	Switch Cable

\* All product information may subject to change without prior notice.

\* The rights of all brand names, product names and trademarks belong to their respective owners.  
Copyright © 2021 Vecow Co., Ltd. All rights reserved.